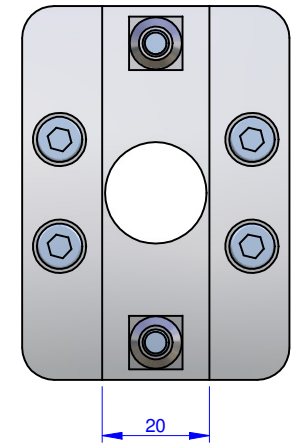
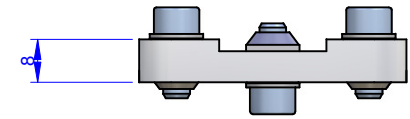
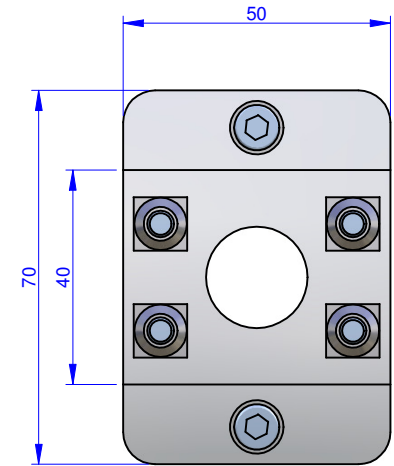
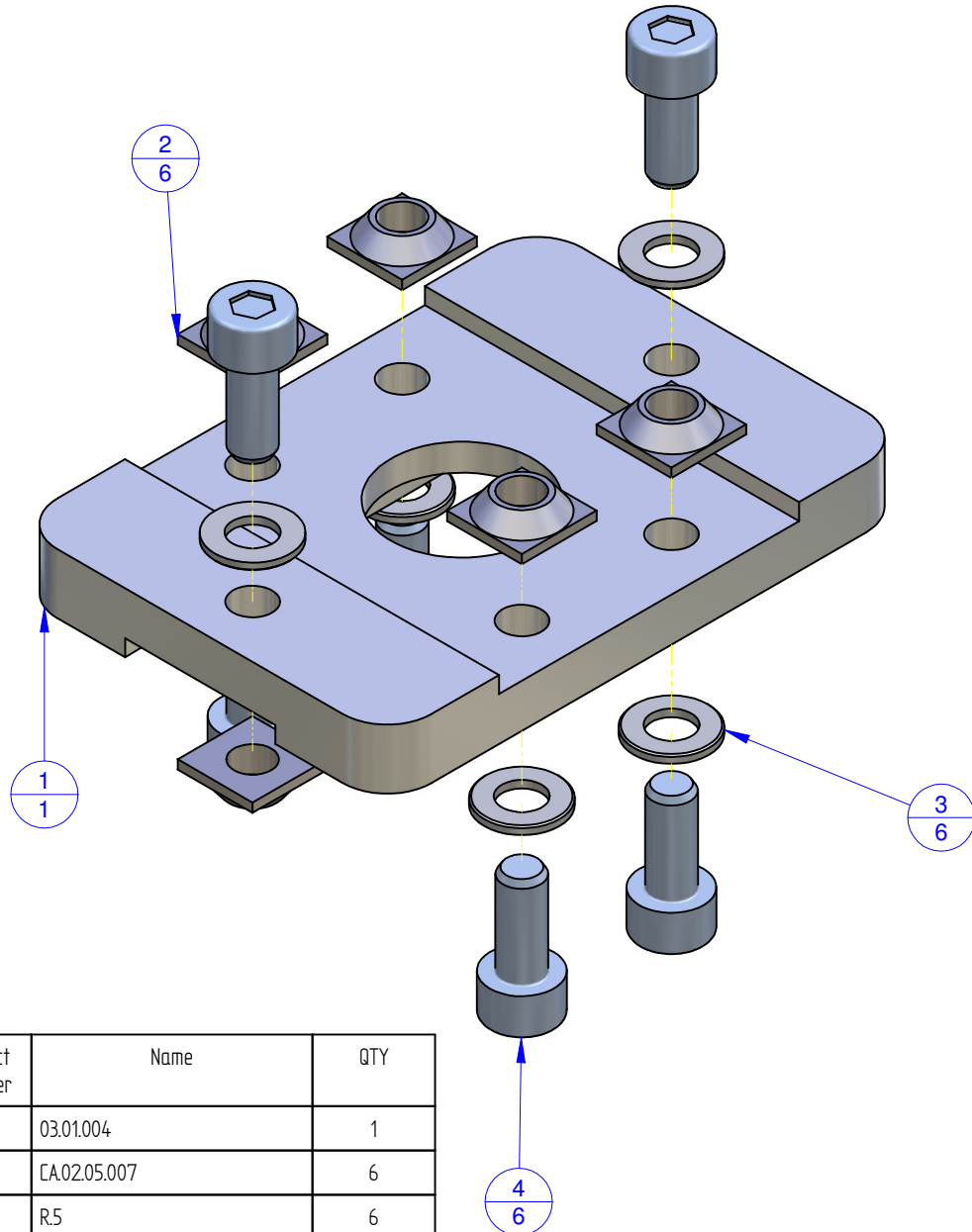


THE PROPERTY OF THIS DRAWING IS ESTABLISHED BY LAW
IT IS FORBIDDEN TO REPRODUCE IT OR SHOW IT TO THIRD PARTY
WITHOUT A WRITTEN AGREEMENT.



MODIFICATIONS: VARIED DIMENSIONS AS OF DATE:

7	10
8	11
9	12

MODIFICATIONS: VARIED DIMENSIONS AS OF DATE:

1	4
2	5
3	6

Object Number	Name	QTY
1	03.01.004	1
2	CA.02.05.007	6
3	R.5	6
4	V.TEE M5X12	6

Format **A3**
UNI 936-76

FP Services			DESIGNED FROM	
			FPSERVICES	
GENERAL TOLERANCE:		DESCRIPTION	DATE	WEIGHT
UNI - ISO 2768			11/2013	0,080 kg
CLASSE f			CODE	CA.03.01.004

